

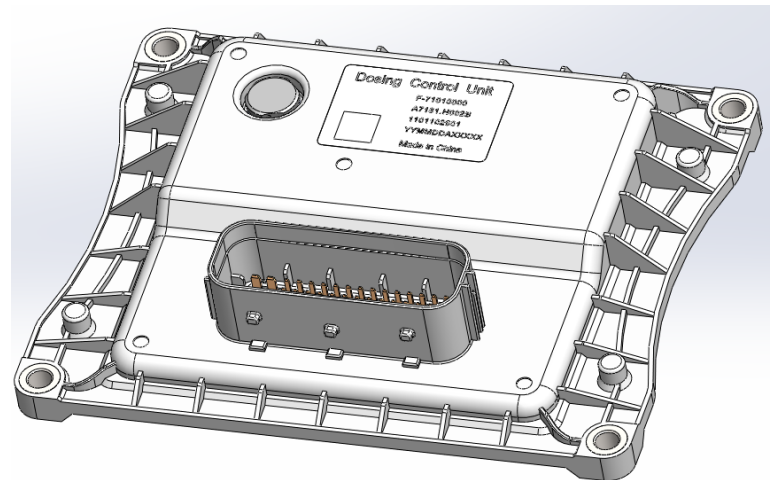
尿素喷射系统控制单元 DeNox Control Unit

产品介绍 Product Introduction

凯晟尿素喷射系统控制单元 (DCU) 适用于商用卡车和非道路用柴油机, 可满足国六阶段排放法规的适应性标定。钥匙上电后, DCU通过采集温度和解析发动机CAN信息, 判断系统是否需要加热解冻; 加热解冻后, 驱动尿素泵建压; DCU根据工况计算尿素喷射量并驱动喷嘴喷射尿素; 钥匙下电后, DCU驱动尿素泵及反向阀倒抽管路中的尿素溶液, 完成后系统下电。

KESENS DeNox Control Unit (DCU) is suitable for commercial trucks and off-highway diesel engines, and can meet the adaptability calibration of China VI vehicle emission standards. After the key is powered on, the DCU determines whether the system needs heating and thawing by collecting temperature and analyzing engine CAN information; After heating and thawing, drive the urea pump to build pressure; The DCU calculates the urea injection amount according to the operating conditions and drives the nozzle to inject urea; After the key is powered off, the DCU drives the urea pump and reverse valve to reverse pump the urea solution in the pipeline. After completion, the system is powered off.

- ◆ 62针连接器
62 pin connector
- ◆ 2路Peak-hold驱动输出, 6路低边PWM输出
2 Peak-hold drive output, 6 low side PWM output
- ◆ 3路频率信号输入, 14路模拟信号输入
3 frequency signal input, 14 analog signal input
- ◆ 2路CAN
2 CAN
- ◆ 防护等级为IP6K9K
Protection grade: IP6K9K
- ◆ 长X宽X高: 201X161X40.5mm
Length X width X height: 201X161X40.5mm
- ◆ 工作电压: 9~32V
Operating voltage: 9~32V
- ◆ 工作温度: -40°C~85°C
Operating temperature: -40°C~85°C
- ◆ 符合ISO及CISPR规定的电磁兼容规范
Electromagnetic compatibility specifications in accordance with ISO and CISPR regulations



尿素喷射系统控制单元
DeNox Control Unit

产品优势 Product Advantages:

- ◆ 多样的安装方案
Multiple installation solution
- ◆ 支持双尿素喷嘴驱动控制
Support dual urea injector drive control
- ◆ 客户定制的系统解决方案
Customized system solution

尿素喷射系统控制单元 DeNox Control Unit

- ◆ 强大的工程服务能力
Professional engineering service capability
- ◆ 模块化的开发确保交付品质与速度
Modular development to ensure delivery quality and efficiency

产品特性 Product Features:

- ◆ 32位高性能主控芯片
32 bits high performance MCU
- ◆ 支持加热继电器吸合反馈检测
Support heating relay pull-in feedback detection
- ◆ 支持尿素泵双向PWM控制
Support urea pump bidirectional PWM control
- ◆ 支持频率信号采集
Support frequency signal acquisition
- ◆ 支持双尿素喷嘴Peak-hold驱动控制，电流波形可根据要求进行标定
Support Peak-hold drive control for dual urea injector, and current waveform can be calibrated as required
- ◆ 支持控制器内部信号监控，如监控供电电压、钥匙信号电压值等
Support Internal signal monitoring of the controller, such as monitoring power supply voltage, key signal voltage , etc
- ◆ 支持UDS协议 和J1939协议
Support UDS protocol and J1939 protocol
- ◆ 具备OS，可提供1ms、10ms、50ms、100ms、1000ms调度任务
The system has an OS that can provide 1ms, 10ms, 50ms, 100ms, and 1000ms scheduling tasks
- ◆ 支持Afterrun功能
Support for Afterrun function
- ◆ 满足国六及T4阶段尿素喷射系统控制
Meet the requirements of China VI vehicle emission standards and non-road China IV urea injection system control